

COMPACT HAND CRANK HOSE, CORD OR CABLE STORAGE REELS 112Y SERIES

COXREELS® 112Y Series hand crank hose reels are lightweight, compact, versatile reels to store and maintain your hose or cord. Save time and effort while increasing the safety of your work environment. The standard 112Y reels feature a sturdy "U" shaped frame and all steel construction make this one tough little reel. The 112Y-CM reels have a high quality one piece 25 mm steel tube frame structure. All listed models are supplied less hose or cord.

112Y SERIES MODELS

MODEL	LESS HOSE				HOSE I.D.		Kg.	SIZE INDEX
	CABLE I.D.*				10 mm	13 mm		
	8.35 mm ²	5.27 mm ²	3.31 mm ²	1.31 mm ²				
112Y-4	40	75	150	300	50	30	10	1
112Y-8	80	135	300	*	100	55	14	2
112Y-12	150	225	*	*	150	75	20	3

*Cable length based on SJ cord type



112Y-CM SERIES MODELS - CADDY MOUNT

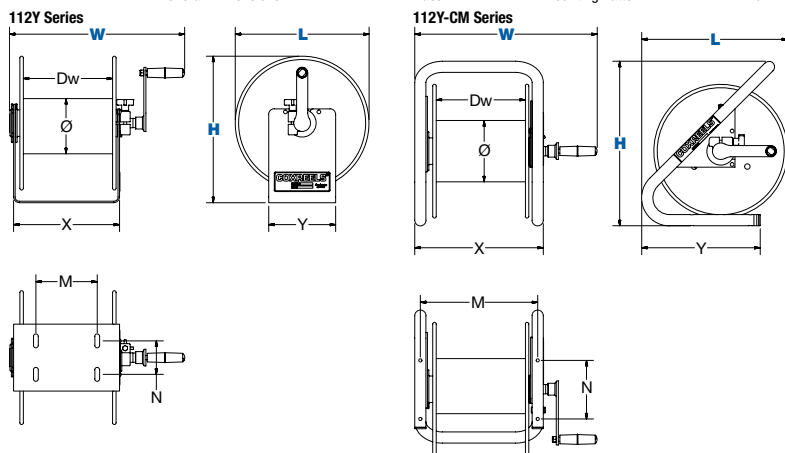
MODEL	LESS HOSE				HOSE I.D.		Kg.	SIZE INDEX
	CABLE I.D.*				10 mm	13 mm		
	8.35 mm ²	5.27 mm ²	3.31 mm ²	1.31 mm ²				
112Y-8-CM	24 m	41 m	91 m	*	30 m	16 m	6	4
112Y-12-CM	45 m	68 m	*	*	45 m	22 m	9	5

*Cable length based on SJ cord type

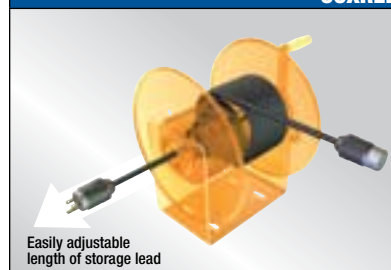
REEL DIMENSIONS Technical Data Sheets Available On Website

SIZE INDEX	W mm	H mm	L mm	X mm	Y mm	M mm	N mm	Ø mm	Dw mm
1	311	333	305	152	152	102	76	140	114
2	400	333	305	241	152	140	76	140	203
3	514	333	305	356	152	254	76	140	318
4	416	375	330	292	270	267	133	140	203
5	530	375	330	406	270	381	133	140	318

Overall Dimensions Base Mounting Pattern Drum



COXREELS® FEATURE



The access port & open drum allow for quick & easy use of hose cord or cable

The open drum & access port lets the hose/cord/cable quickly & easily pass thru to the center of the drum where it can be quickly wrapped up for easy storage.

Easily adjustable length of storage lead

112Y SERIES :: REEL SPECIFICATIONS

OPEN PORT

- Professional grade, compact & lightweight hand crank reels to store & maintain hose, cord, cable, wire, rope, tape, chain & more.
- Open drum design for no hassle hose wrap
- Open port for easy pass through for any type of hose, cord or cable
- Hose, cord or cable not included.

DESIGN & STRUCTURE

- Solid one piece 2.5 mm steel "U" shaped frame
- Base has holes for temporary or permanent installation
- Adjustable tension brake to prevent "free-wheeling" during operation, transport or storage
- (On 112Y-CM only) Control bar prevents hose, cord or cable from slipping off the discs
- (On 112Y-CM only) High quality one piece 25 mm steel tube frame structure
- (On 112Y-CM only) "Caddy Mount" offers convenient portability

RETRACTION

- Direct hand crank rewind

SIGNATURE FEATURES

- Professional grade heavy duty steel construction
- Durable proprietary CPC™ powder coat process
- Rolled edges & ribbed discs provide strength & safety
- Leading 2-year manufacturer's limited warranty
- Made in the U.S.A. - Sold & Supported Worldwide

POSSIBLE FIELDS OF APPLICATION

- Hose, Cord & Cable Storage
- Mobile or Stationary Units
- Residential/Commercial/Industrial Use

ACCESSORIZE YOUR REEL :: PG 50

- O-Rings & Swivels
- Hoses
- Assorted Reel Accessories

